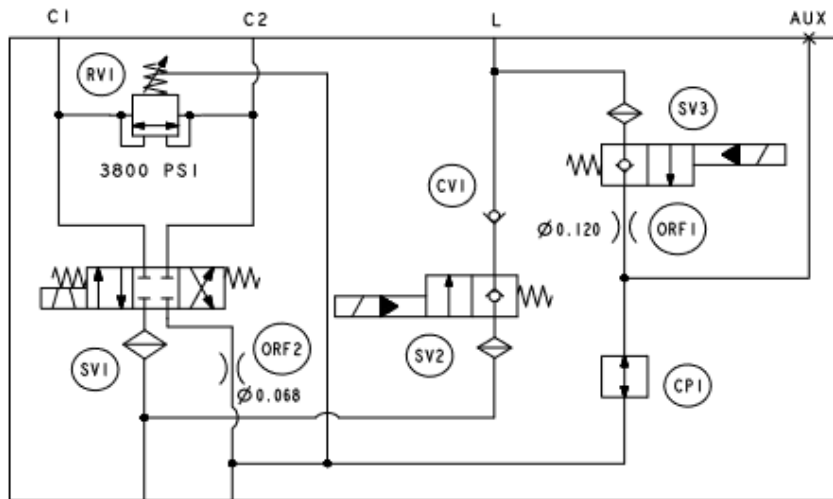
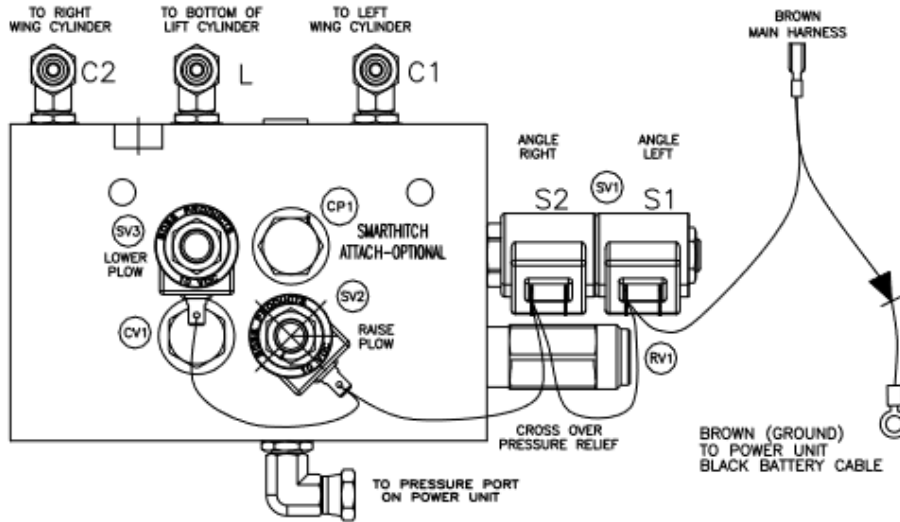


**HYD07090 Hydraulic Valve Assembly  
RT3 Sport & Standard Duty Straight Blades  
SmartHitch™ ready (Green)  
Blade Functions**



**HYD07090 Hydraulic Valve Assembly  
RT3 Sport & Standard Duty Straight Blade (Green)  
SmartHitch™ Ready  
Parts List**

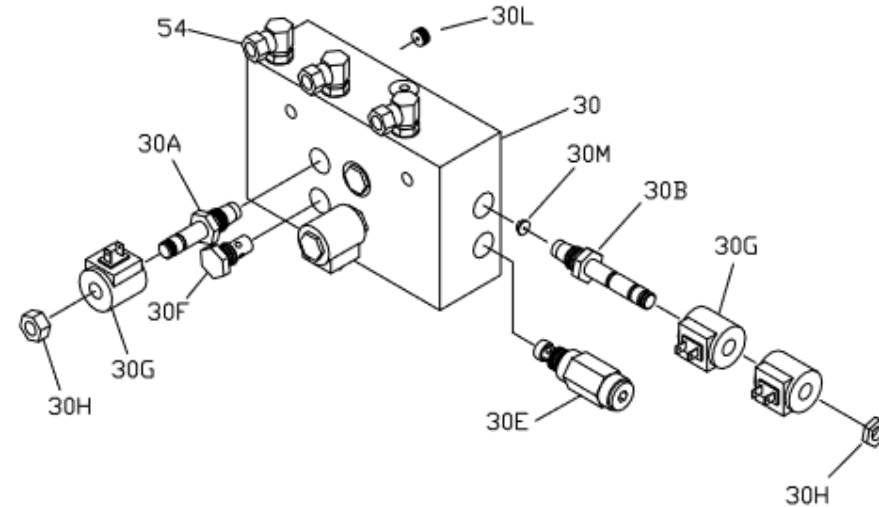


Figure 1. Hydraulic Valve Assembly Parts Breakdown

G10481

Reference Number	Description	Part Number	Qty
30	Hydraulic Valve Assembly - SmartHitch™ Ready (Green)	HYD07090	1
30A	Hydraulic Valve, Lift/Lower Cartridge	HYD01637	2
30B	Hydraulic Valve, Angle Cartridge (3 Position - 4 Way Spool)	HYD07029	1
30E	Relief Valve, Hydraulic Crossover (3800PSI)	HYD07027	1
30F	Check Valve	HYD01640	1
30G	Valve Coil	HYD01638	2
30H	Coil Nut	HYD07059	2
30L	Orifice Plug, .12" ID	HYD07120	1
30M	Orifice Disc, .068" ID	HYD07068	1
54	Fitting, 90° Swivel	HYD01620	3
80	Ground Strap- STR. (not shown)	MSC08851	1